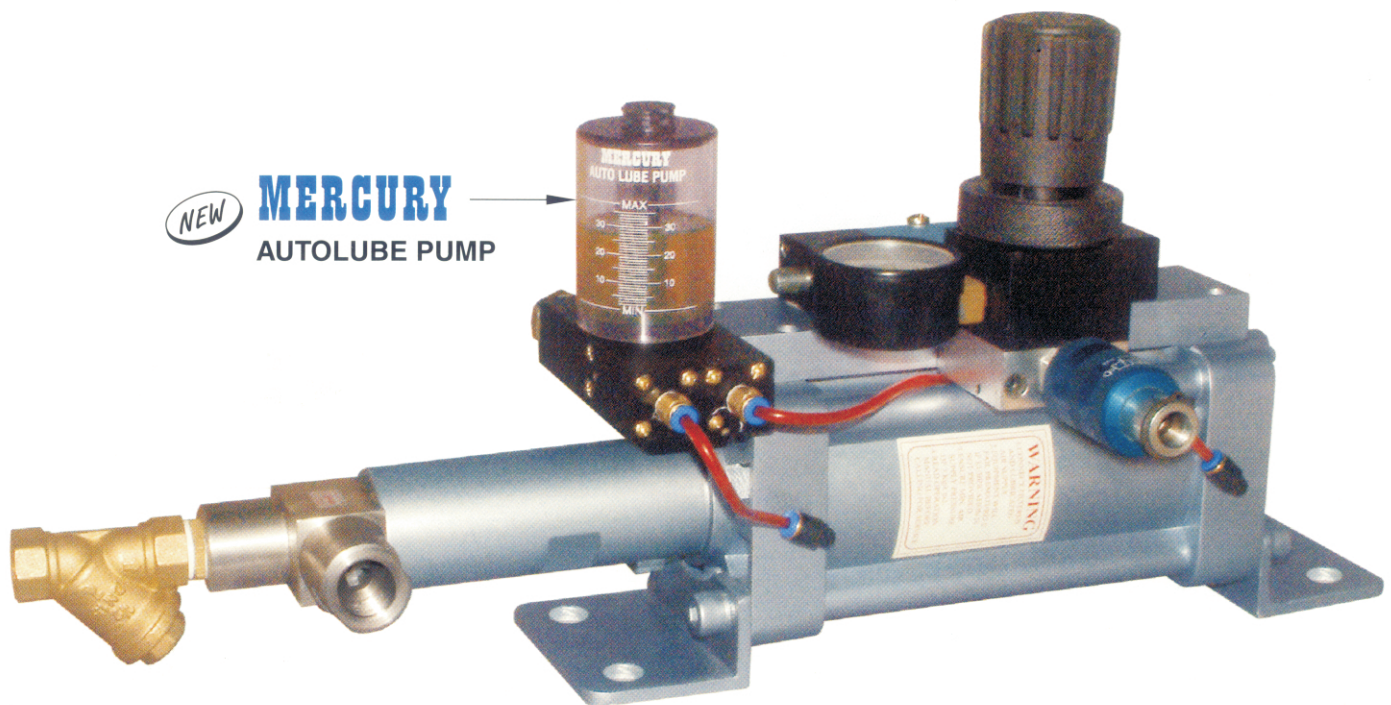


Hydro Pneumatic Pumps

The efficient, economical alternative to centrifugal, vane, piston & plunger pumps and hand operated pumps



NEW **MERCURY**
AUTOLUBE PUMP

Typical Applications :

- Hydro static Pressure Testing
- Cyclic Pressure Testing
- Burst Strength Testing
- Operation of Hydraulic Jacks, Clamps & Presses
- Portable Systems for Construction, Mining & Defence Equipments
- Overload Protection of Mechanical Presses, Shears etc.

Mercury Pneumatics Pvt. Ltd.

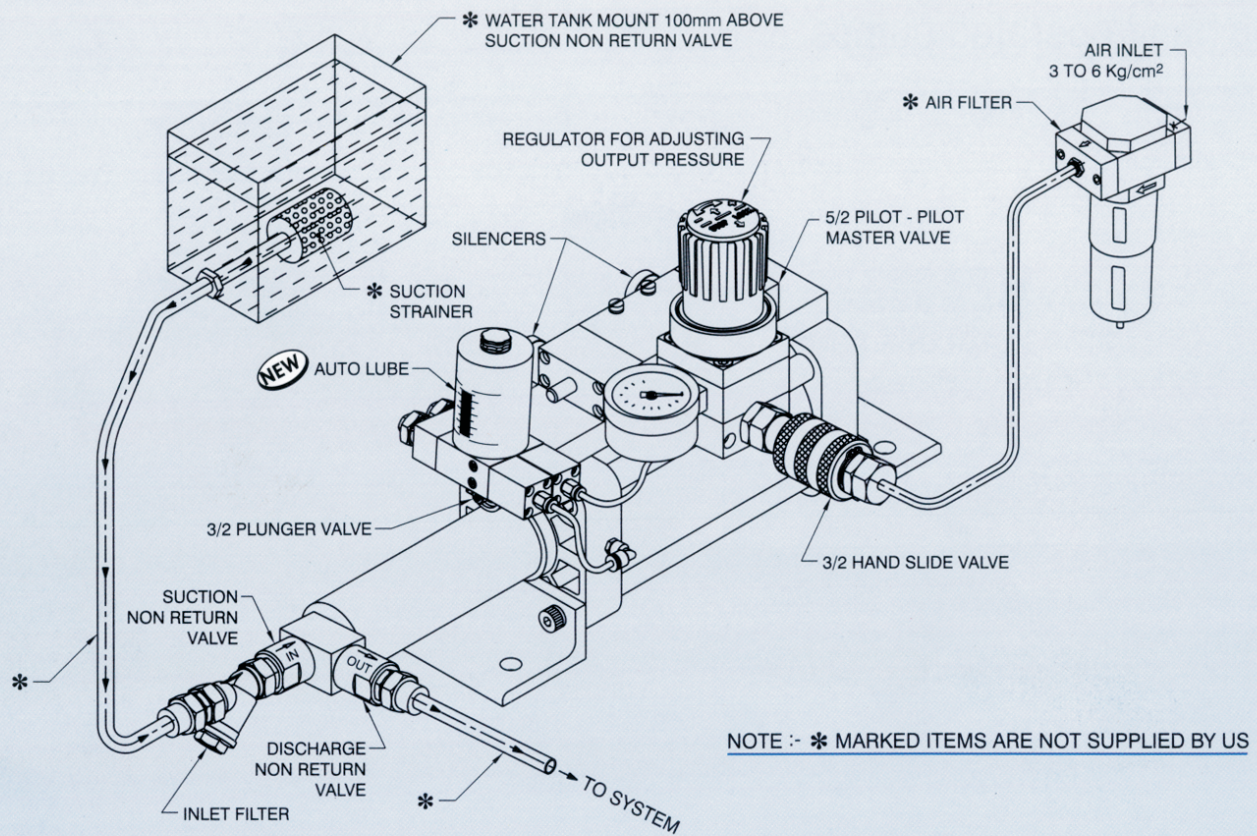
D-134, Ansa Industrial Estate, Saki Vihar Rd, Andheri (E), Mumbai - 400072
Ph.: +91-22-28474449 / 28470063 / 28471020 Fax : +91-22-28470632
E-mail : mercury pneumatics@vsnl.net Website : www.mercuryindia.net

MERCURY Hydro Pneumatic Pumps are products of extensive development efforts. These rugged pumps are efficient, low cost alternatives to motorised and hand operated pumps.

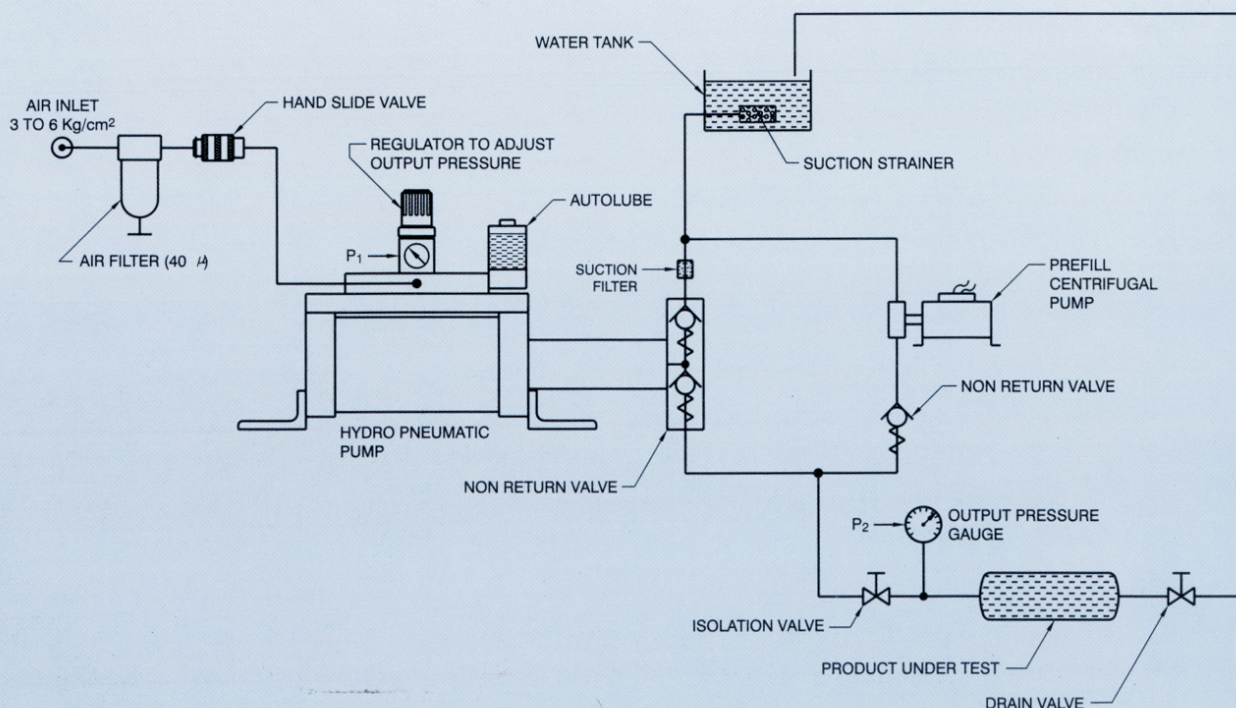
Salient Features :

- Compact and lightweight. Can be mounted in any orientation.
- Low air consumption when used in conjunction with a high volume, low pressure prefill pump.
- Automatically compensates for leakages to maintain constant pressure.
- Ideally suited for operation in explosive environments.
- Large variety of models to cover varied applications.
- Simple construction for easy servicing.

General Layout of Pump Installation

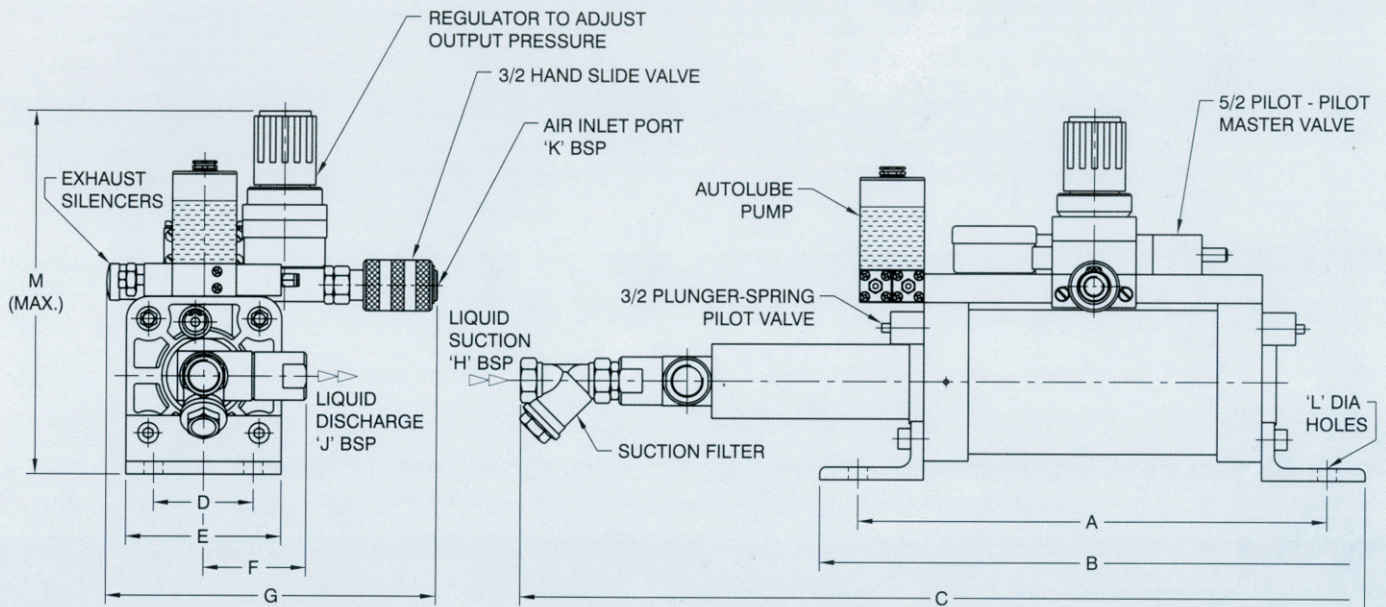


Typical Pressure Testing Circuit





Technical Specification



MODEL No.	RATIO	OUTPUT PRESSURE AT 5Kg/cm ²	A	B	C	D	E	F	G	H BSP	J BSP	K BSP	Ø L	M	FREE DISCHARGE LITRES / MIN.	FREE AIR CONSUMPTION LITRES / MIN.
-----------	-------	--	---	---	---	---	---	---	---	-------	-------	-------	-----	---	------------------------------	------------------------------------

80-10-1	64	320	303	343	446	63	98	76	215	½"	½"	¼"	12	245	0.60	479
80-14-1	32	160	303	343	540	63	98	67	215	½"	½"	¼"	12	245	1.20	475
80-16-1	25	125	303	343	540	63	98	67	215	½"	½"	¼"	12	245	1.60	473
80-20-1	16	80	303	343	540	63	98	67	215	½"	½"	¼"	12	245	2.50	467
80-28-1	8	40	303	343	540	63	98	67	215	½"	½"	¼"	12	245	4.90	453
80-32-1	6.25	31	318	358	545	63	98	90	215	½"	½"	¼"	12	245	5.60	388

100-10-1	100	500	313	359	479	75	118	76	215	½"	½"	¼"	14	260	0.50	656
100-14-1	51	255	313	359	539	75	118	67	215	½"	½"	¼"	14	260	1.10	653
100-16-1	39	195	313	359	539	75	118	67	215	½"	½"	¼"	14	260	1.40	651
100-20-1	25	125	313	359	539	75	118	67	215	½"	½"	¼"	14	260	2.20	646
100-28-1	12.75	64	313	359	539	75	118	67	215	½"	½"	¼"	14	260	4.30	634
100-32-1	9.75	49	313	359	539	75	118	90	215	½"	½"	¼"	14	260	4.80	536
100-56-1	3	15	350	394	473	75	118	90	215	¾"	½"	¼"	14	260	12.30	397

160-16-1	100	500	390	440	530	115	185	82	163	½"	½"	½"	18	382	1.20	1440
160-20-1	64	320	390	440	530	115	185	90	163	½"	½"	½"	18	382	1.90	1436
160-28-1	32	160	390	440	530	115	185	90	177	½"	½"	½"	18	382	3.10	1187
160-32-1	25	125	390	440	530	115	185	90	280	½"	½"	½"	18	365	4.00	1182
160-40-1	16	80	390	440	530	115	185	82	280	¾"	½"	½"	18	365	5.00	934
160-56-1	8	40	390	440	530	115	185	82	280	¾"	½"	½"	18	365	9.80	906
160-14-2	260	1300	558	639	690	115	185	76	280	½"	½"	½"	18	365	0.80	1201
160-20-2	128	640	558	639	690	115	185	76	280	½"	½"	½"	18	365	1.60	1196